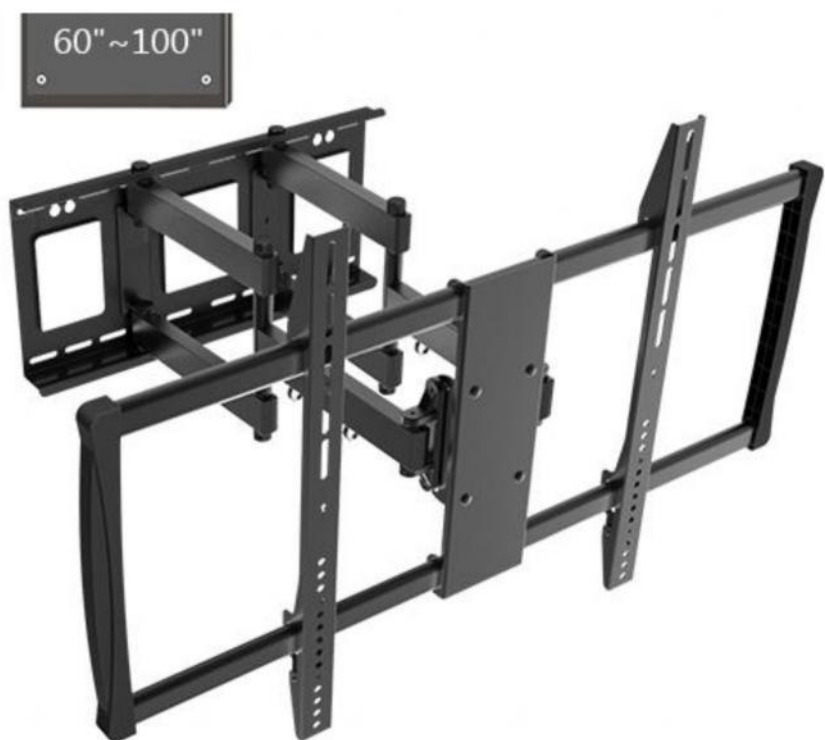
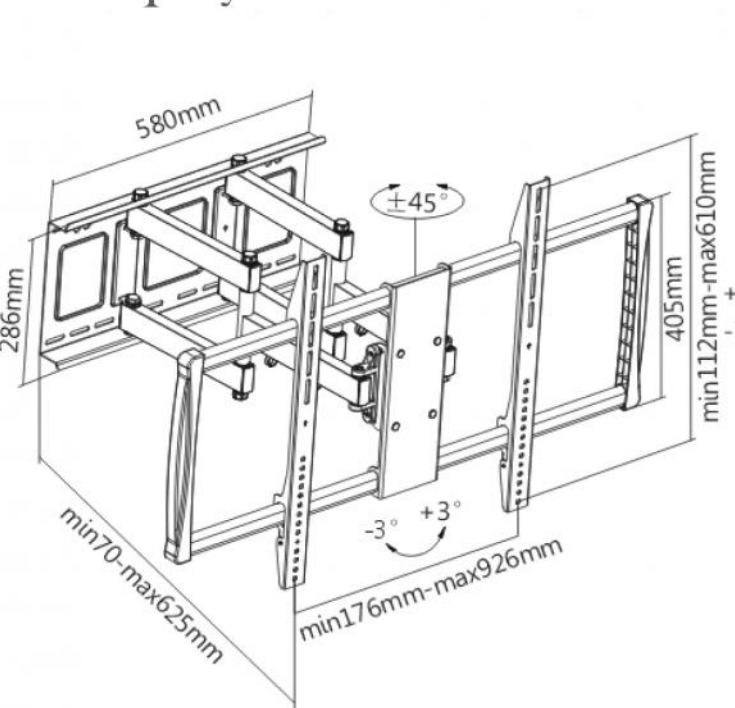


Heavy Duty Full-motion Display Wall Mounts



MODEL:AVC-FMM-6910

Specifications

- * Material: Aluminum, Steel, Plastic
- * Surface Finish: Powder Coated
- * Product Size : 625x1050x630mm
- * Display Size : 60"-100"
- * Weight Capacity: 80kgs/176lbs
- * Strength tested: 4 times approved
- * Max. VESA: 900x600mm
- * Tilt: $-15^\circ \sim +5^\circ$
- * Swivel: $-45^\circ \sim +45^\circ$
- * Level Adjustment: $-3^\circ \sim +3^\circ$
- * Profile: 70-325mm
- * Color : Black
- * Cable Management: Yes
- * By Function: Full Motion

Heavy Duty Full-motion

Display Wall Mount



Description:

This popular model is a full-motion designed to fit any Display of 60"-100" Display up to 80kgs/176lbs. Strength has been tested for a minimum of four times its stated load capacity.

Full motion allows maximum flexibility-tilts and swivel your larger Display for easy viewing from ant seat in a room.

Post-installation level adjustment allows the Display to "roll" up to 3 Clockwise and to ensure it is perfectly level.

- * No Tool Assembly allows assembling in minutes with no tools required
- * Articulated arm with six pivots offer a full range of movement
- * Built-in level adjustment ensures perfect positioning
- * Cable clips keep cables organized and protected
- * Key hole wall plate allows easy installation
- * Strength has been tested for a minimum of four times its stated load capacity