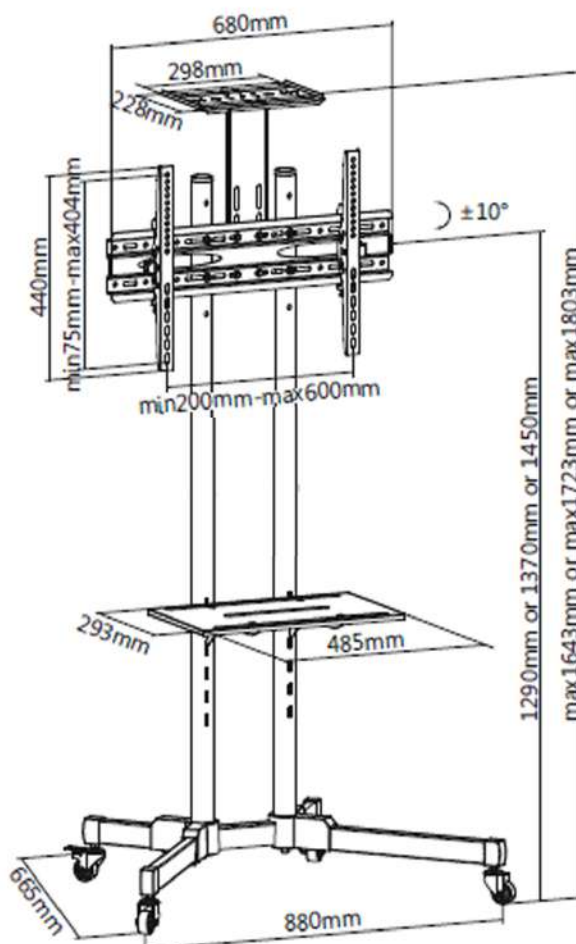


Economy Series Display Cart



AVC-FST-109

Specifications

- * High Grade MS Material With Powder Coating
- * Display Size Maximum Vesa: 600 x 400mm
- * Display Size : 32"-55"
- * Weight Loading Capacity : 40kgs/88lbs
- * Easy Moving Sturdy Wheels



Panel Height Adjustment



Height Adjustment
Component Shelf



Height Adjustment
Camera Shelf



Sturdy Base Heavy-duty
Casters