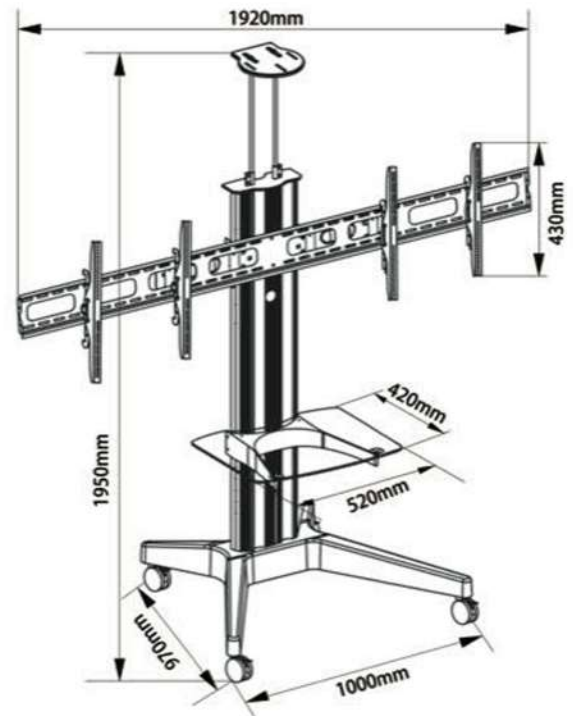


# Dual Display TV Cart with Camera Shelf



**Model: AVC-FST-AL46D1P**

This Dual Display TV Cart offers a complete solution by serving a variety of projection needs for Boardroom, Conference Rooms, Business Meetings and at many other places as per requirement. This versatile presentation cart allows you to hold meetings with A/V support especially for video conferencing between two locations. The elliptical aluminium column is sturdy and very strong. Its solid base is covered with decorative caps and the large locking wheels provide smooth and stable movement of the Cart. This Cart allows to put two screens together side by side with a +/- 15 degrees of viewing angle adjustment. It also includes a height adjustable glass shelf and a camera shelf.

## Product Features:-

- \* Support and Suitable for Two Display Monitors
- \* Material: Aluminium, Steel, Glass
- \* Maximum Size Supported: 55"
- \* 1920mm Length TV Bracket
- \* Maximum VESA 600x400mm
- \* 430mm Length Mounting Arms
- \* Tilt Angle: -15 -- +15 degrees
- \* Made with High Grade cold rolled Steel
- \* High Quality Heavy Duty and Sturdy Aluminium Tube
- \* Available in Black and Silver Colours
- \* Tempered Glass Shelf: Thickness 6mm
- \* Loading Capability: 70 Kgs. Heavy duty base
- \* Comes with all screws required for installation
- \* 4 Heavy Duty Swivel Break Wheels, 2 Locking and 2 Non Locking
- \* Product Size:1920\*1000\*1950mm
- \* Packing Size:1970\*350\*130/1110\*1060\*180mm