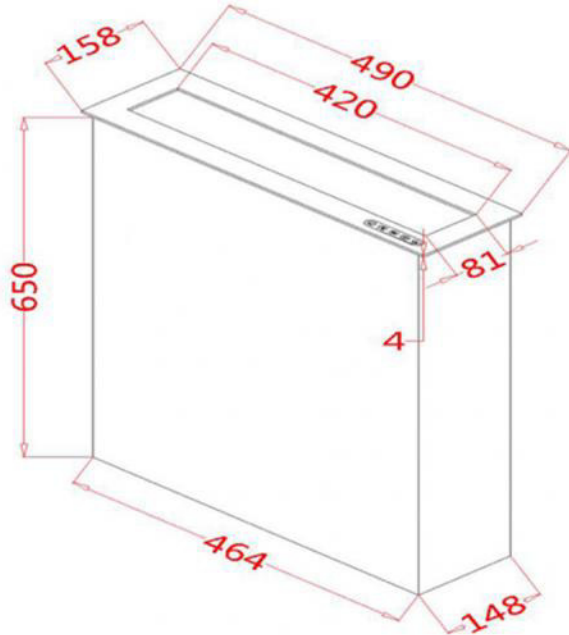
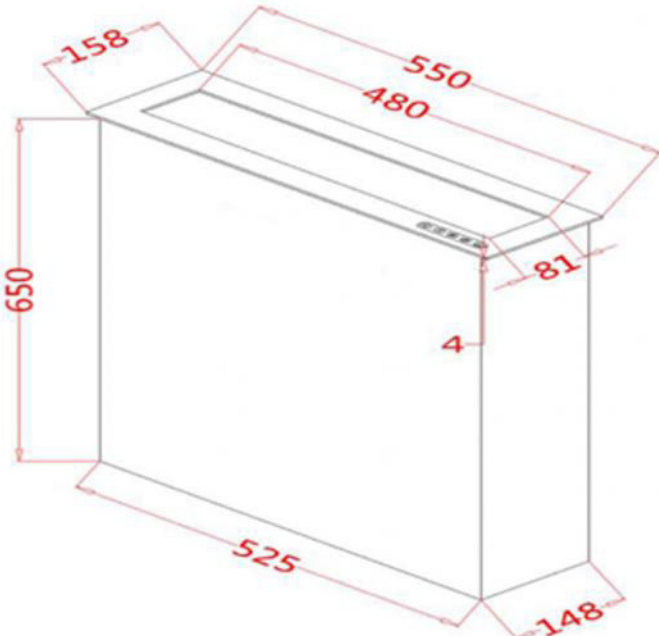


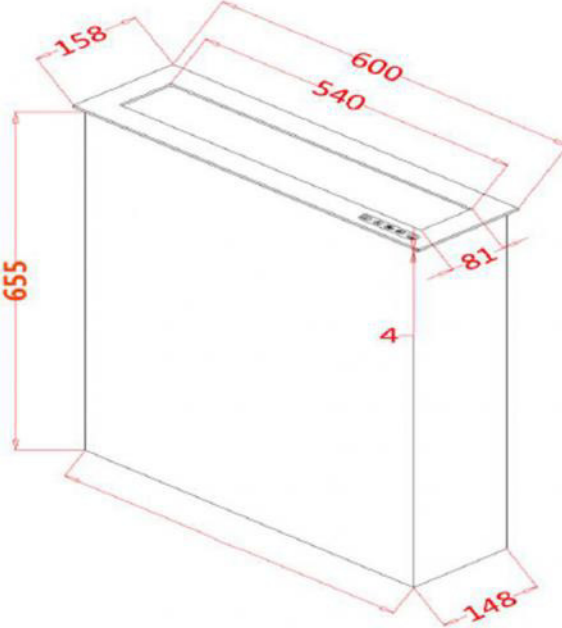
## TFT Monitor Lift (Without Monitor)



TFT Monitor Lift is designed for high-class Boardrooms and Conference Rooms.

When the monitor is needed in the meeting, the hidden TFT lift can lift up the monitor to the table and after finishing the work and using that, the lift and monitor will be hidden in the table automatically though a simple button push for tidy and clean conference table.

Model No.	Product Description	Dimension(mm)
AVC-TFTL-17	<ul style="list-style-type: none"> <li>* Items name: TFT Monitor Lift Without Monitor</li> <li>* Suitable for 17" LCD monitor</li> <li>* Panel material: Aluminum Alloy(Wire-drawing)</li> <li>* Panel color: silver or black</li> <li>* Case material: Iron</li> <li>* Motor: 2 units</li> <li>* Max Power: 25w</li> <li>* Single Lifting time:50s</li> <li>* Control mode: Manual/ Remote/ Rs232/485</li> <li>* Operate Voltage:110v±10% / 220v±10%</li> <li>* Loading capacity: ≤8.5kg</li> <li>* Tilt angle: 105°</li> <li>* CC Approved</li> <li>* Connect With HDMI,VGA,RS232,RS485,Input Power</li> <li>* Buttons with Menu,Up,Down,Front,Back,Pause</li> </ul>	
AVC-TFTL-19	<ul style="list-style-type: none"> <li>* Items name: TFT Monitor Lift Without Monitor</li> <li>* Suitable for 19" LCD monitor</li> <li>* Panel material: Aluminum Alloy(Wire-drawing)</li> <li>* Panel color: silver or black</li> <li>* Case material: Iron</li> <li>* Motor: 2 units</li> <li>* Max Power: 25w</li> <li>* Single Lifting time:50s</li> <li>* Control mode: Manual/ Remote/ Rs232/485</li> <li>* Operate Voltage:110v±10% / 220v±10%</li> <li>* Loading capacity: ≤8.5kg</li> <li>* Tilt angle: 105°</li> <li>* CC Approved</li> <li>* Connect With HDMI,VGA,RS232,RS485,Input Power</li> <li>* Buttons with Menu,Up,Down,Front,Back,Pause</li> </ul>	

Model No.	Product Descriptions	Dimension(mm)
AVC-TFTL-22	<ul style="list-style-type: none"> <li>* Items name: TFT Monitor Lift Without Monitor</li> <li>* Suitable for 22" LCD monitor</li> <li>* Panel material: Aluminum Alloy(Wire-drawing)</li> <li>* Panel color: silver or black</li> <li>* Case material: Iron</li> <li>* Motor: 2 units</li> <li>* Max Power: 25w</li> <li>* Single Lifting time:50s</li> <li>* Control mode: Manual/ Remote/ Rs232/485</li> <li>* Operate Voltage:110v±10% / 220v±10%</li> <li>* Loading capacity: ≤8.5kg</li> <li>* Tilt angle: 105°</li> <li>* CC Approved</li> <li>* Connect With HDMI,VGA,RS232,RS485,Input Power</li> <li>* Buttons with Menu,Up,Down,Front,Back,Pause</li> </ul>	
AVC-TFTL-24	<ul style="list-style-type: none"> <li>* Items name: TFT Monitor Lift Without Monitor</li> <li>* Suitable for 24" LCD monitor</li> <li>* Panel material: Aluminum Alloy(Wire-drawing)</li> <li>* Panel color: silver or black</li> <li>* Case material: Iron</li> <li>* Motor: 2 units</li> <li>* Max Power: 25w</li> <li>* Single Lifting time:50s</li> <li>* Control mode: Manual/ Remote/ Rs232/485</li> <li>* Operate Voltage:110v±10% / 220v±10%</li> <li>* Loading capacity: ≤8.5kg</li> <li>* Tilt angle: 105°</li> <li>* CC Approved</li> <li>* Connect With HDMI,VGA,RS232,RS485,Input Power</li> <li>* Buttons with Menu,Up,Down,Front,Back,Pause</li> </ul>	